

Assembly Instruction Manual

2015.08

The logo for ANAKIN, featuring the word "ANAKIN" in a bold, black, sans-serif font. The letter "A" is stylized with an orange circle around it, and a horizontal line passes through the center of the circle.

NATURAL BORN RACER



TABLE OF CONTENT

| | |
|---|----|
| SCREWS 1/1 SCALE | 1 |
| GLUE THE TUBES END'S | 2 |
| ATTACH YOUR MOTORS | 3 |
| ATTACH MOTOR MOUNTS ON ARMS | 4 |
| ROUTE YOUR MOTOR CABLES | 5 |
| FIX YOUR SIDE FRAME USING 2 SCREWS | 5 |
| SOLDER YOUR ESC'S | 6 |
| SLIDE ESC'S INTO THE TUBES | 7 |
| PRESS THE INSERTS IN POSITION | 8 |
| SLIDE YOUR FRAME SPACER AROUND THE TUBES | 9 |
| CHOOSE THE POSITION OF YOUR ARMS | 10 |
| SLIDE YOUR MOTOR SHAFTS INTO THE MOUNTING JIG | 11 |
| SOLDER YOUR ESC CABLES, EQUIPEMENTS CABLES TO YOUR BATTERY CONNECTOR CABLES | 12 |
| SCREW YOUR LOWER FRAME | 12 |
| FIX YOUR MOTOR MOUNT | 13 |
| SCREW THE THIRD SCREW | 14 |
| ATTACH YOUR Z SPACERS | 15 |
| CAMERA ANGLE | 16 |
| ADJUST MOTORS ANGLE | 17 |
| EQUIPEMENTS LAYOUT | 18 |
| ATTACH YOUR CANOPY | 19 |

SCREWS 1/1 SCALE



ISO 7380 M3X6



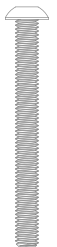
ISO 7380 M3X4



ISO 7380 M3X6TP



ISO 7380 M3X8TP



ISO 7380 M3X30



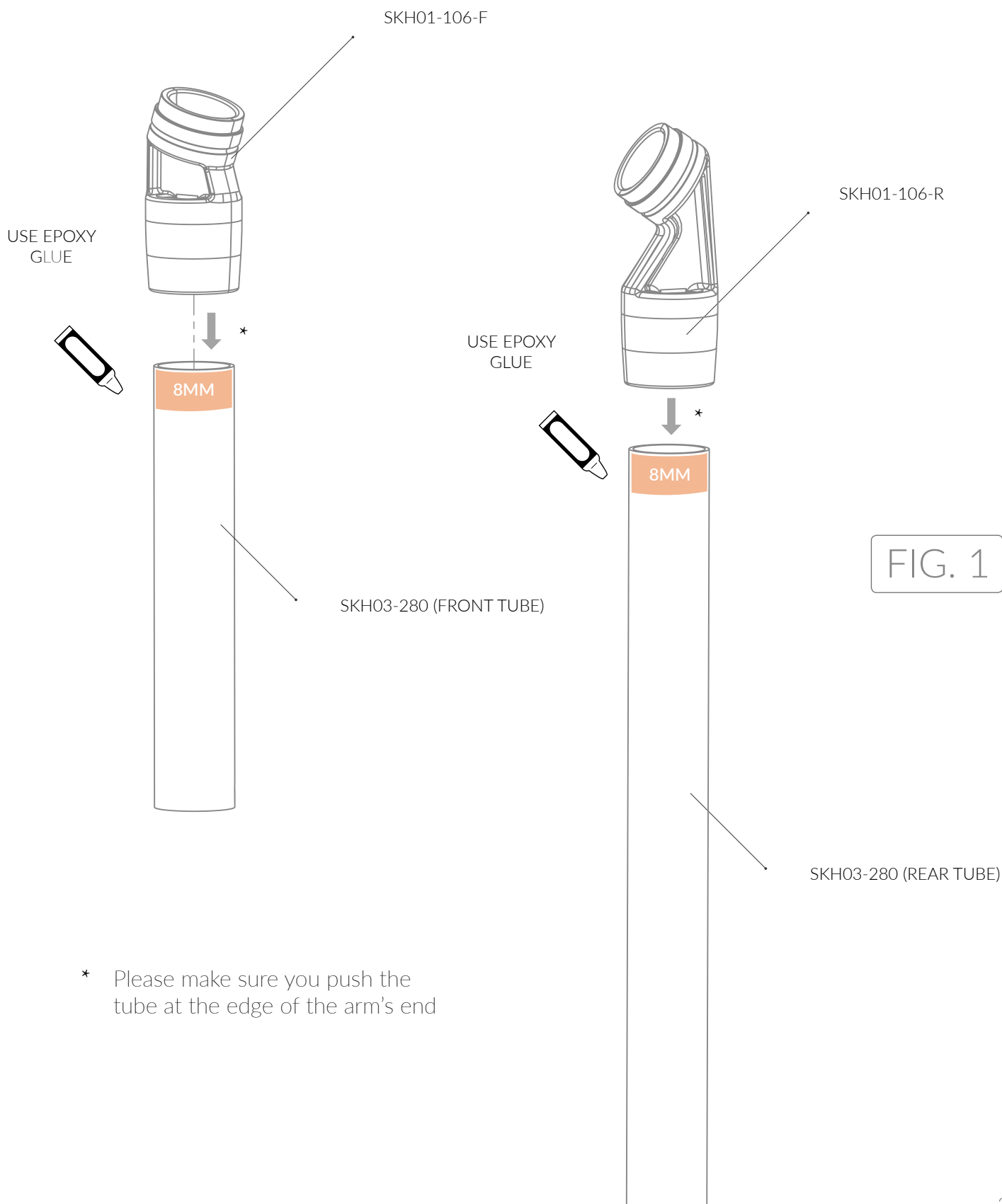
DIN 912 M2.5X8



HEX NUT M2.5

GLUE THE TUBES END'S

(Wipe out excess of glue with acetone)



ATTACH YOUR MOTORS

Warning! Before starting:

- Make sure to identify your clockwise (CW) and counter-clockwise (CCW) motors*.
- Be aware that all your wires will go backwards as shown in figure 3

FIG. 2

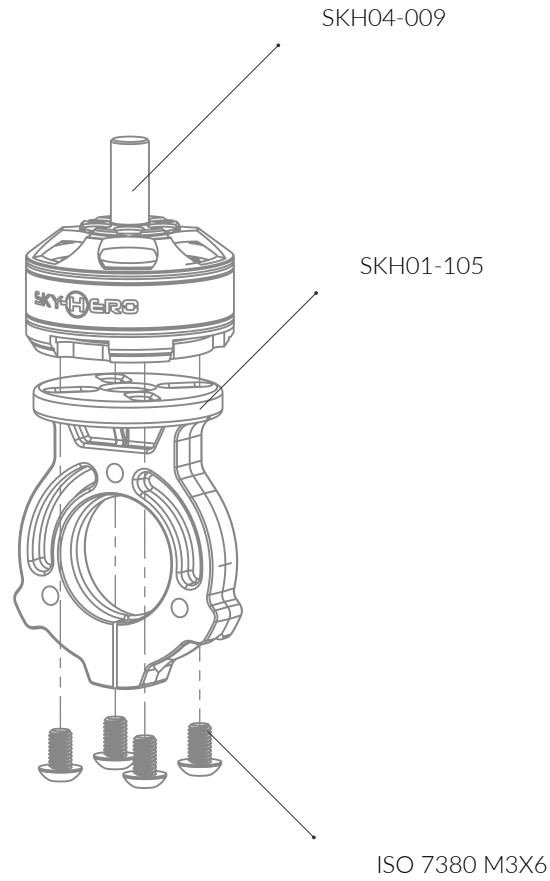
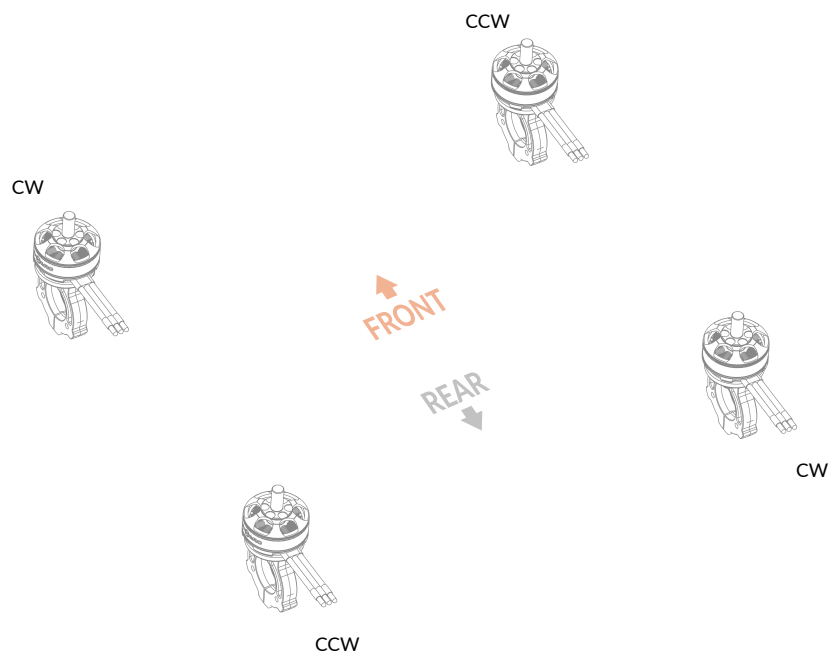


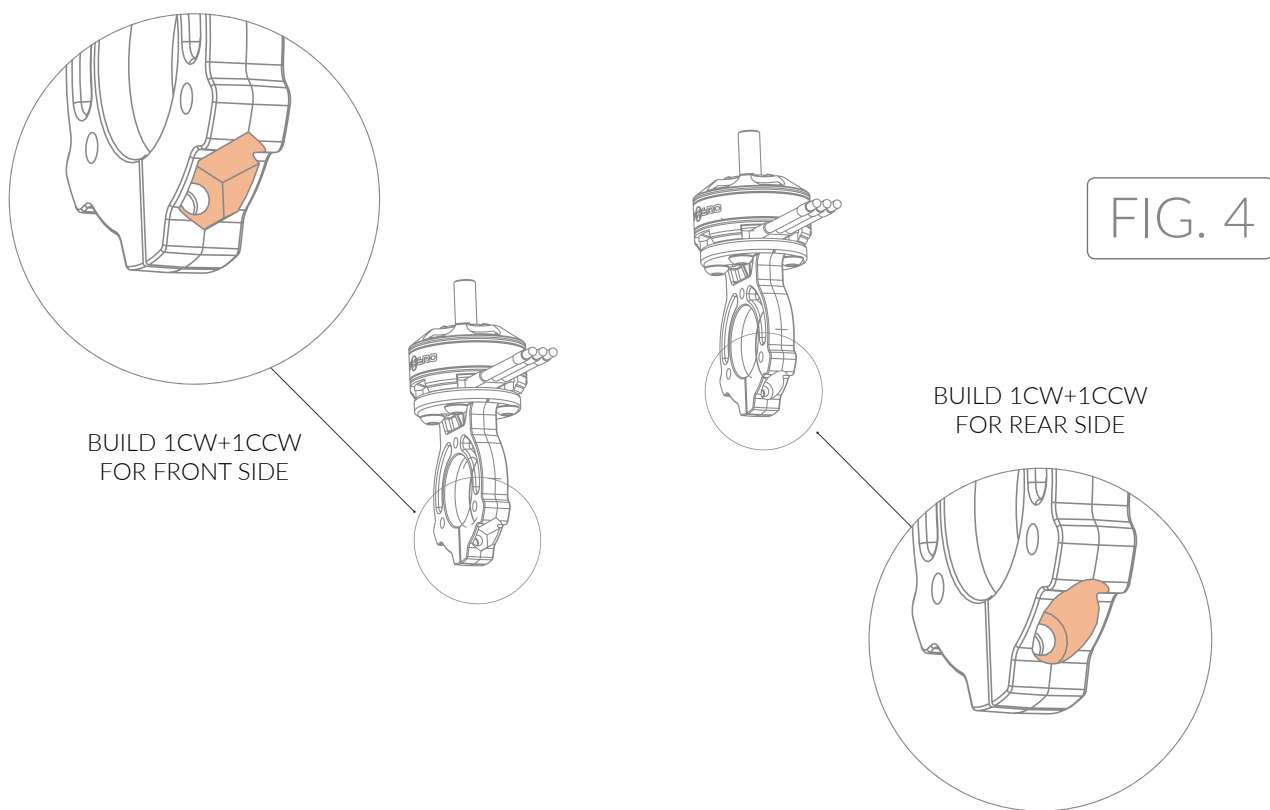
FIG. 3



* Optional parts

Pay attention to motor support orientation. (See figure 4)

You must build **1CW+1CCW** with the motors's wires oriented to the side of the nut for Anakin's front side and **1CW+1CCW** with the motors's wires oriented to the side of the screw for Anakin's rear side

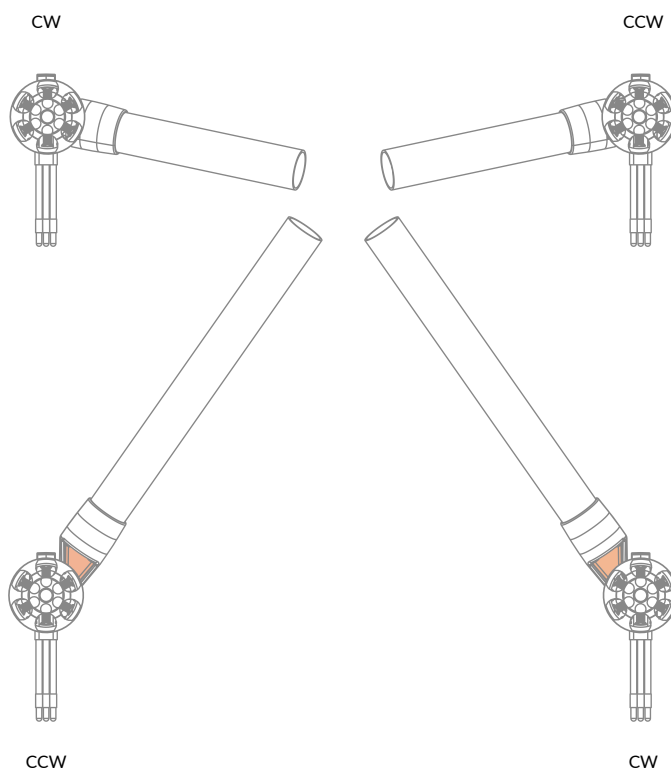


ATTACH MOTOR MOUNTS ON ARMS

You must attach the motor mounts on arm's ends until you hear a «clac» noise.

⚠ it can require quite an important pressure

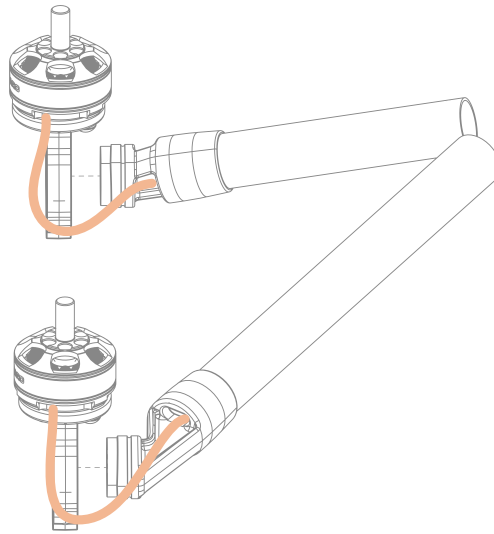
FIG. 5



ROUTE YOUR MOTOR CABLES

Rear cables = 220mm long / Front cables = 150mm long

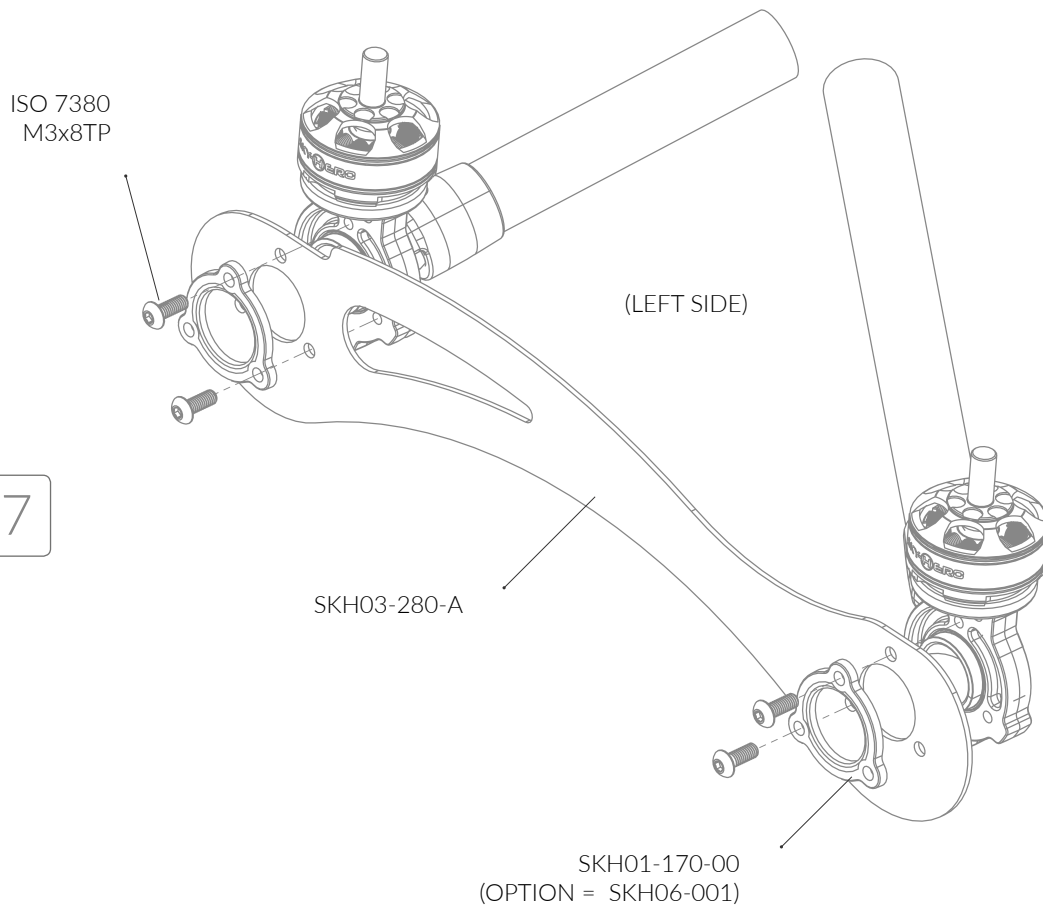
FIG. 6



FIX YOUR SIDE FRAME USING 2 SCREWS

Build left + right side

FIG. 7



SOLDER YOUR ESC'S

And check your motors direction

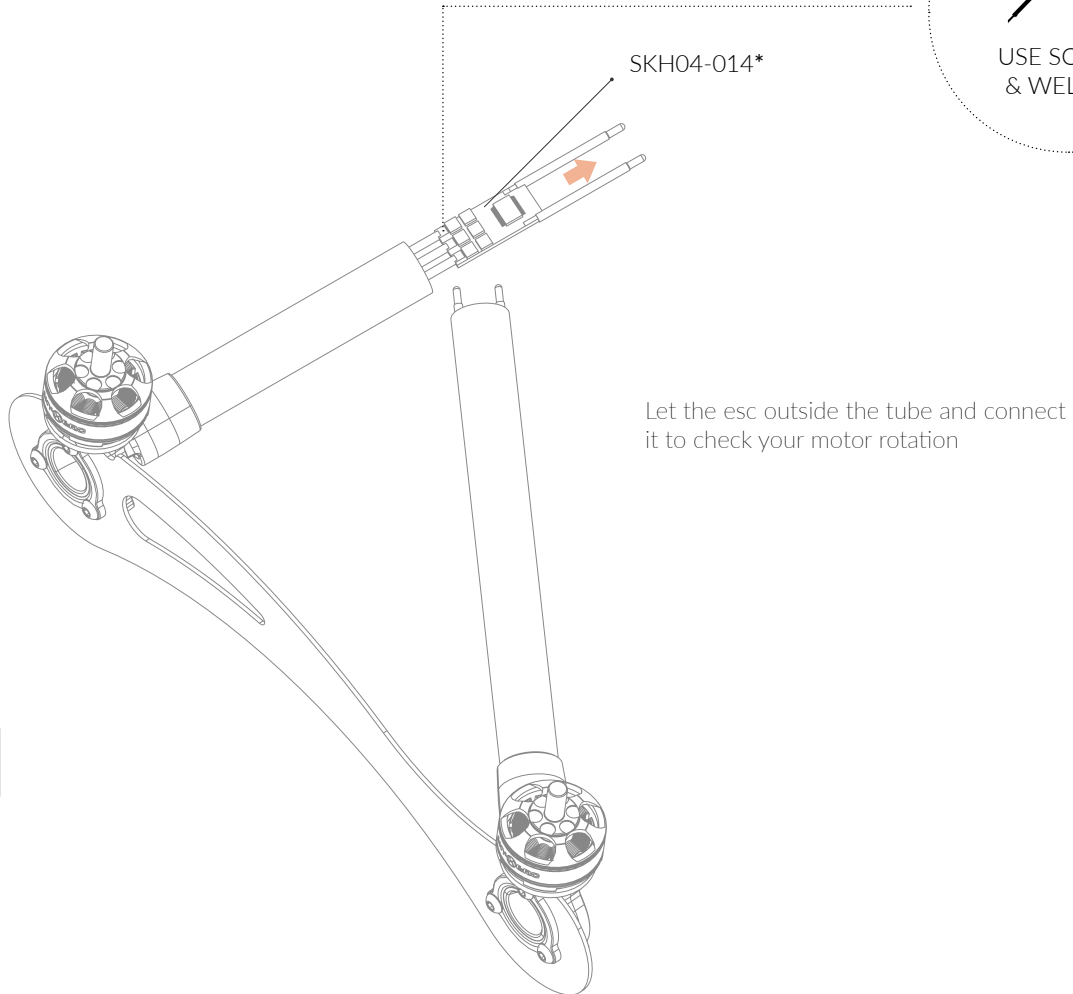
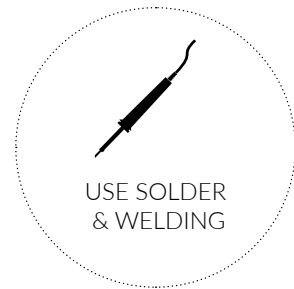


FIG. 8

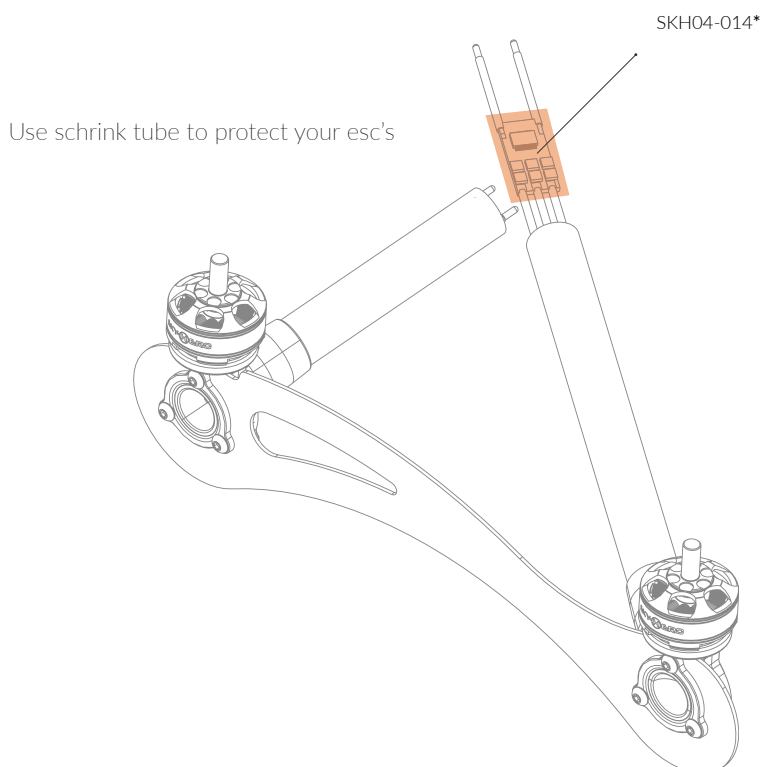


FIG. 9

* Optional parts

SLIDE ESC'S INTO THE TUBES

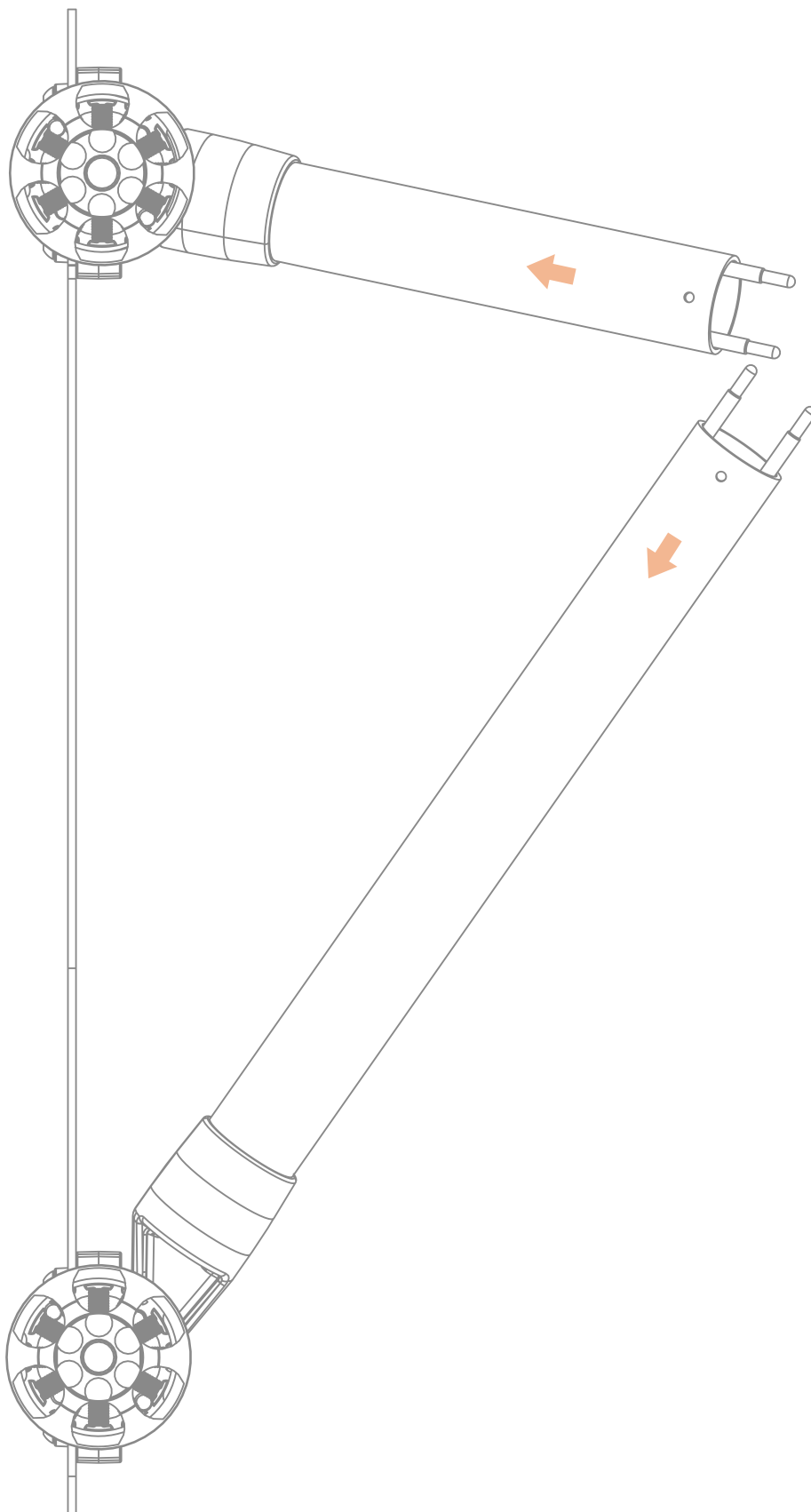
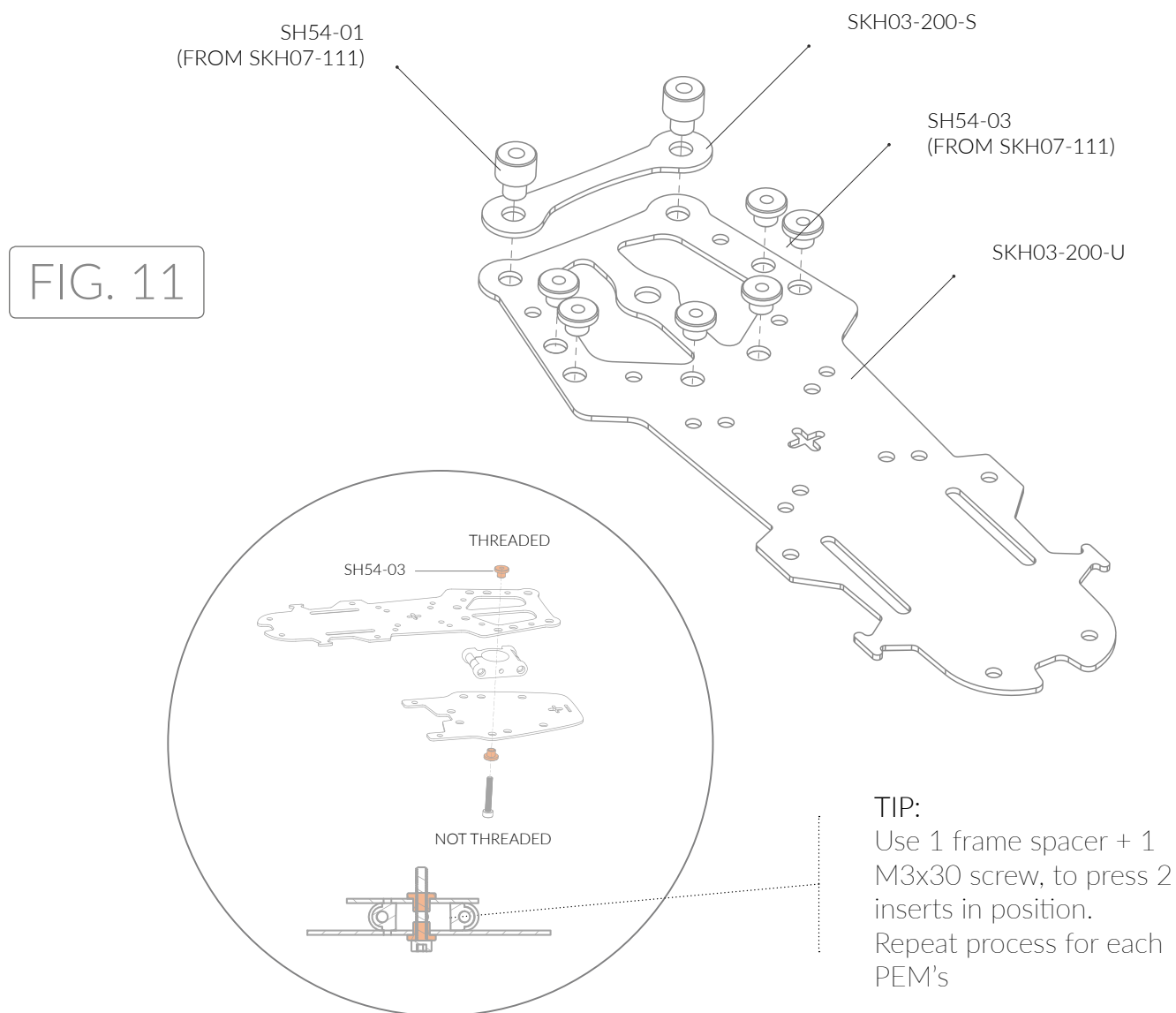


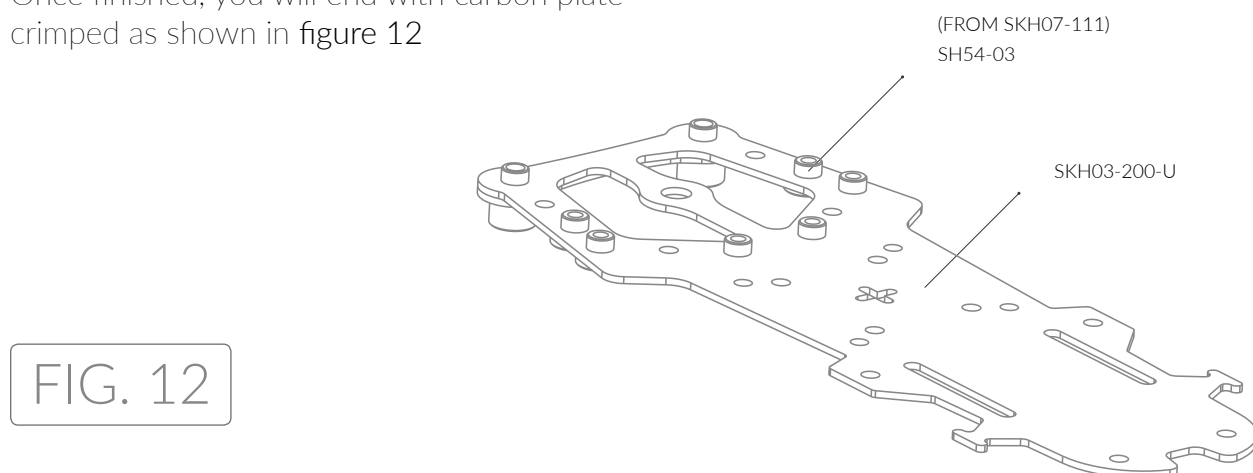
FIG. 10

PRESS THE INSERTS IN POSITION

In order to mount the frame you must first interlock the PEM's by tightening them one by one until it's totally inserted in the carbon plate.
Use the threaded insert on upper frame.



Once finished, you will end with carbon plate crimped as shown in figure 12



SLIDE YOUR FRAME SPACER AROUND THE TUBES

(Use the threaded insert on upper frame)

FIG. 13

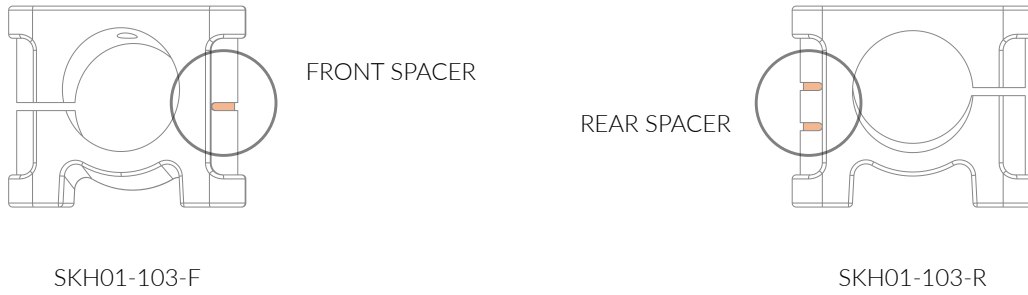
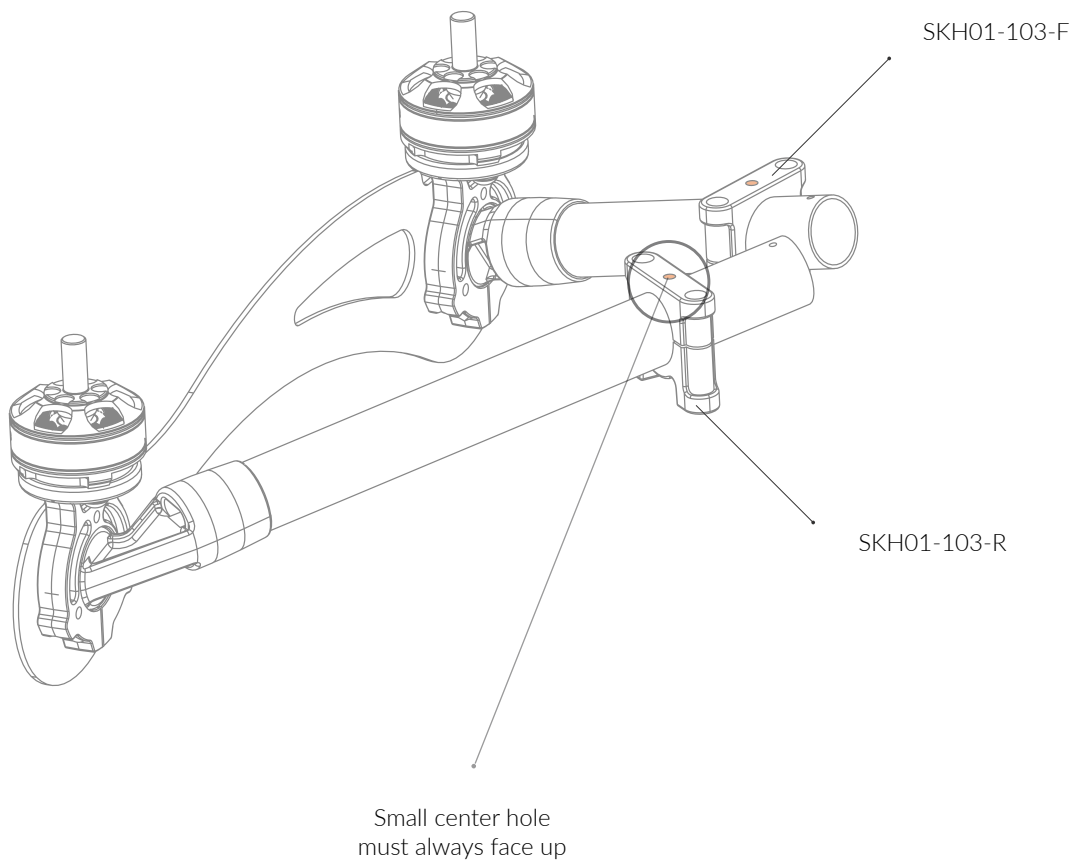


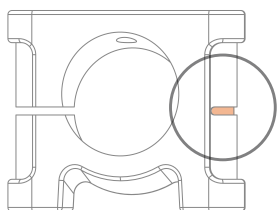
FIG. 14



CHOOSE THE POSITION OF YOUR ARMS

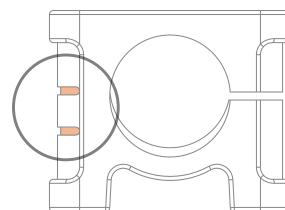
ACCORDING THE CENTER OF GRAVITY ADJUSTMENT YOU WANT

FRONT SPACER



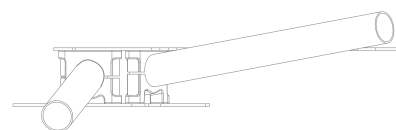
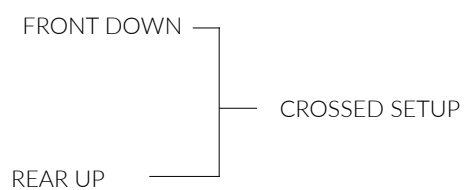
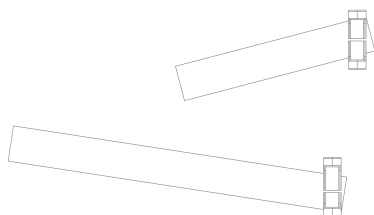
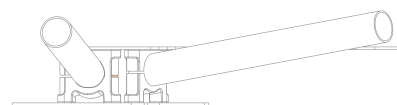
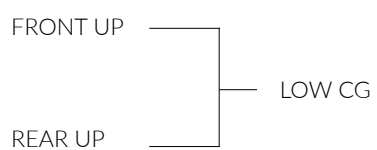
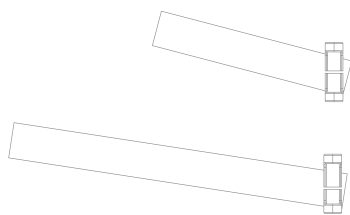
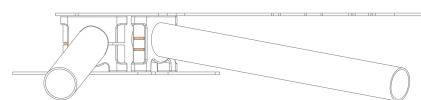
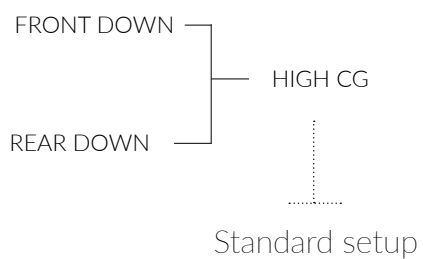
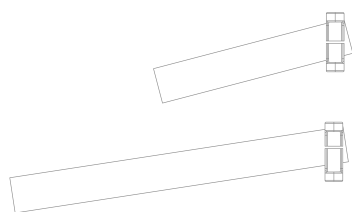
SKH01-103-F

REAR SPACER



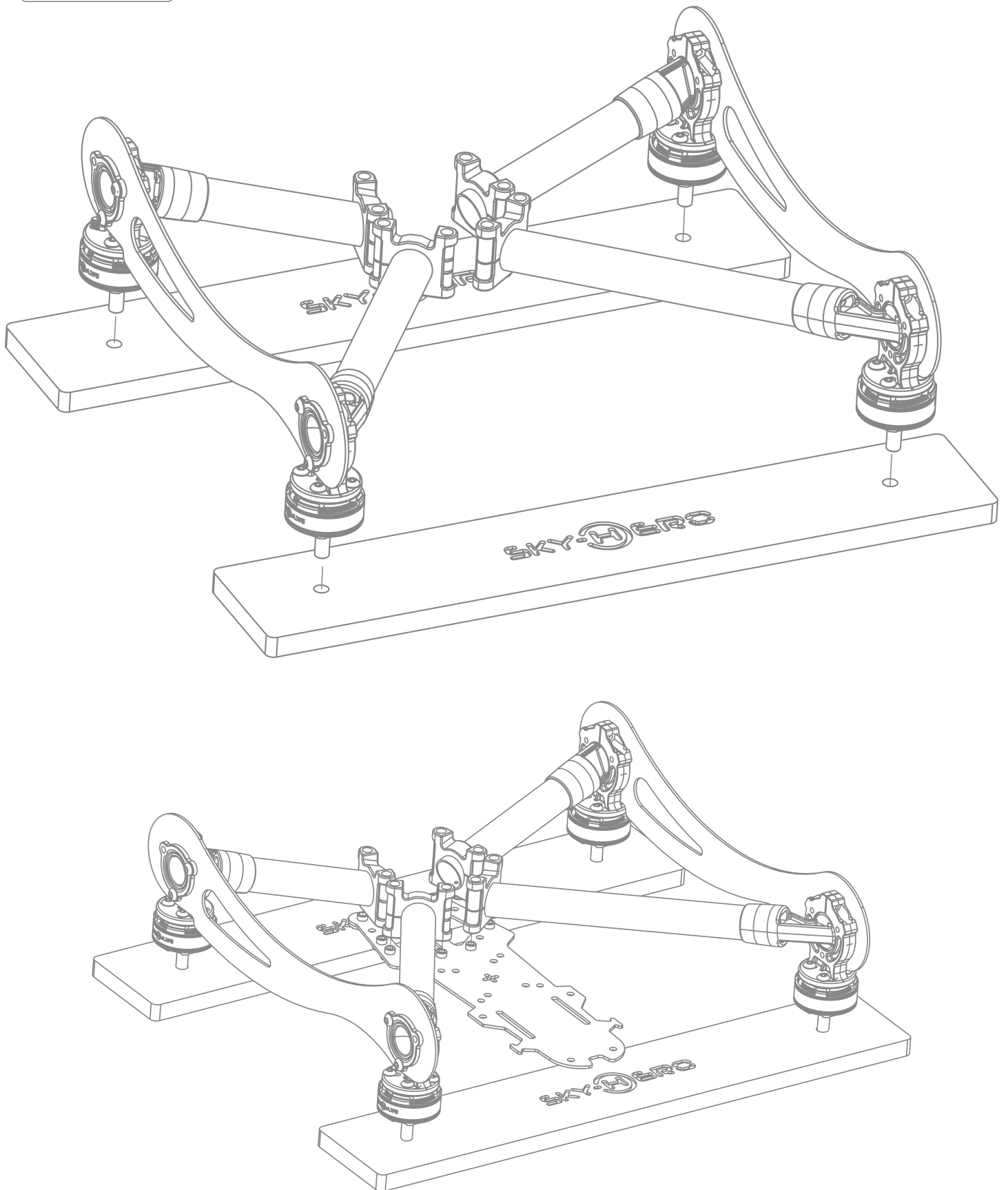
SKH01-103-R

FIG. 15



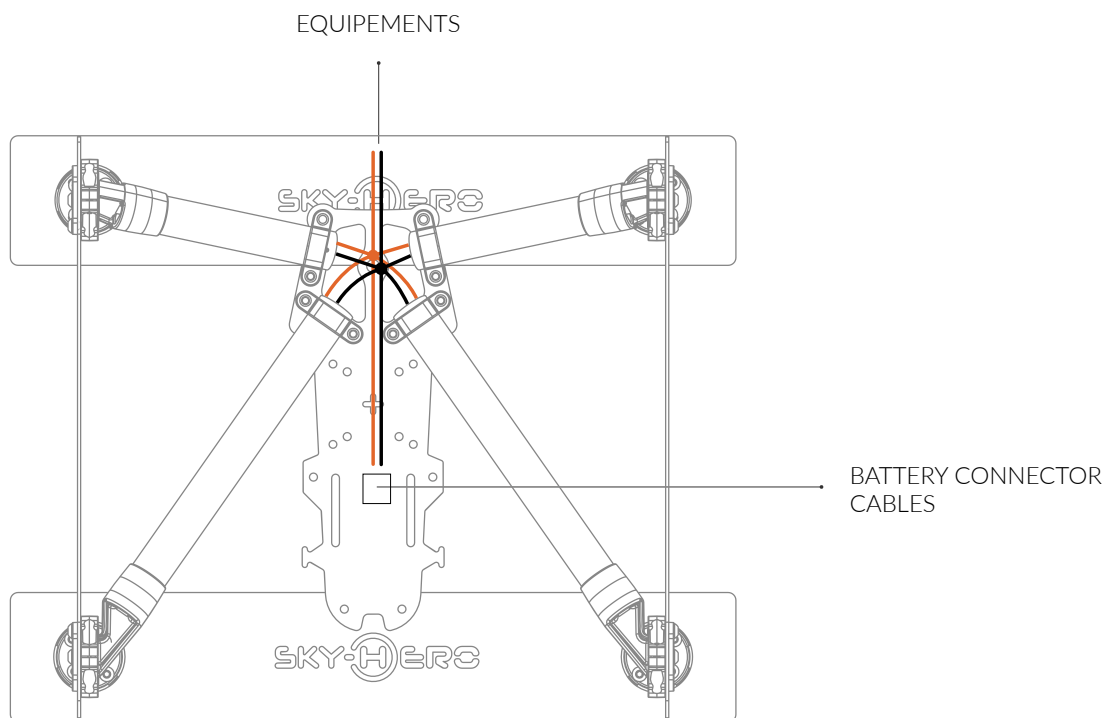
SLIDE YOUR MOTOR SHAFTS INTO THE MOUNTING JIG

FIG. 16

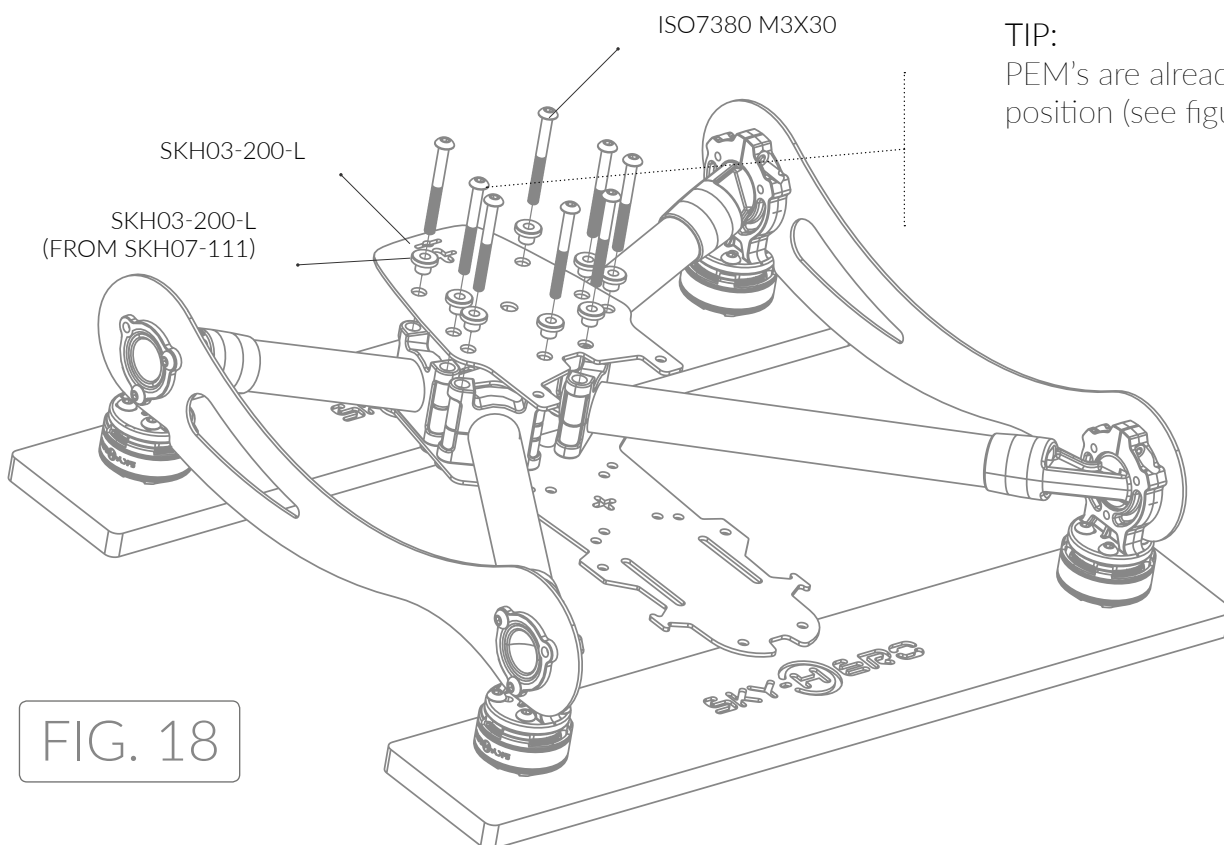


SOLDER YOUR ESC CABLES, EQUIPEMENTS CABLES, (VTX, UBEC, LED, ETC...)
TO YOUR BATTERY CONNECTOR CABLES

FIG. 17

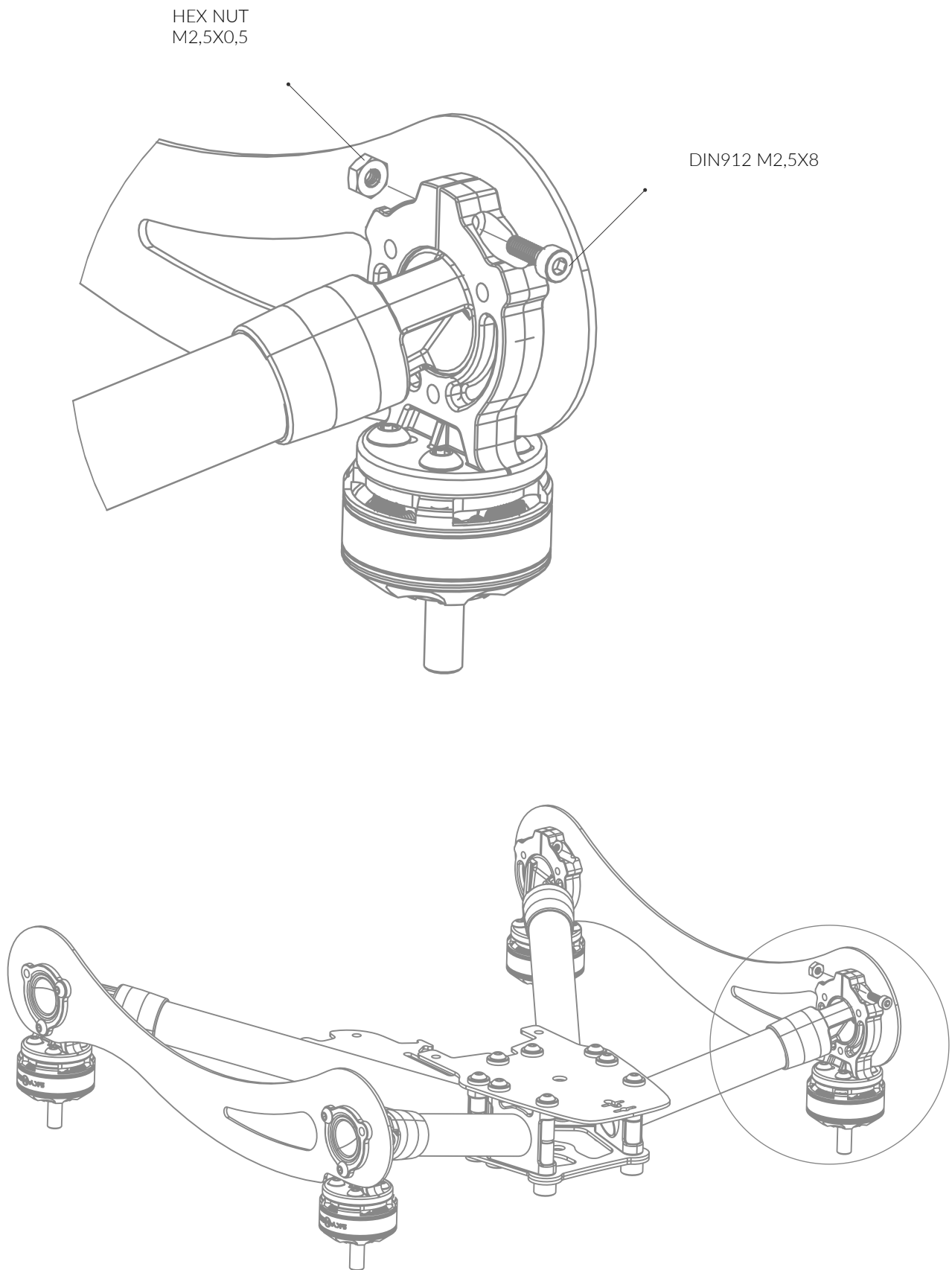


SCREW YOUR LOWER FRAME (DO NOT OVERTIGHT)



TIP:
PEM's are already pressed in position (see figure 11)

FIG. 18



SCREW THE THIRD SCREW

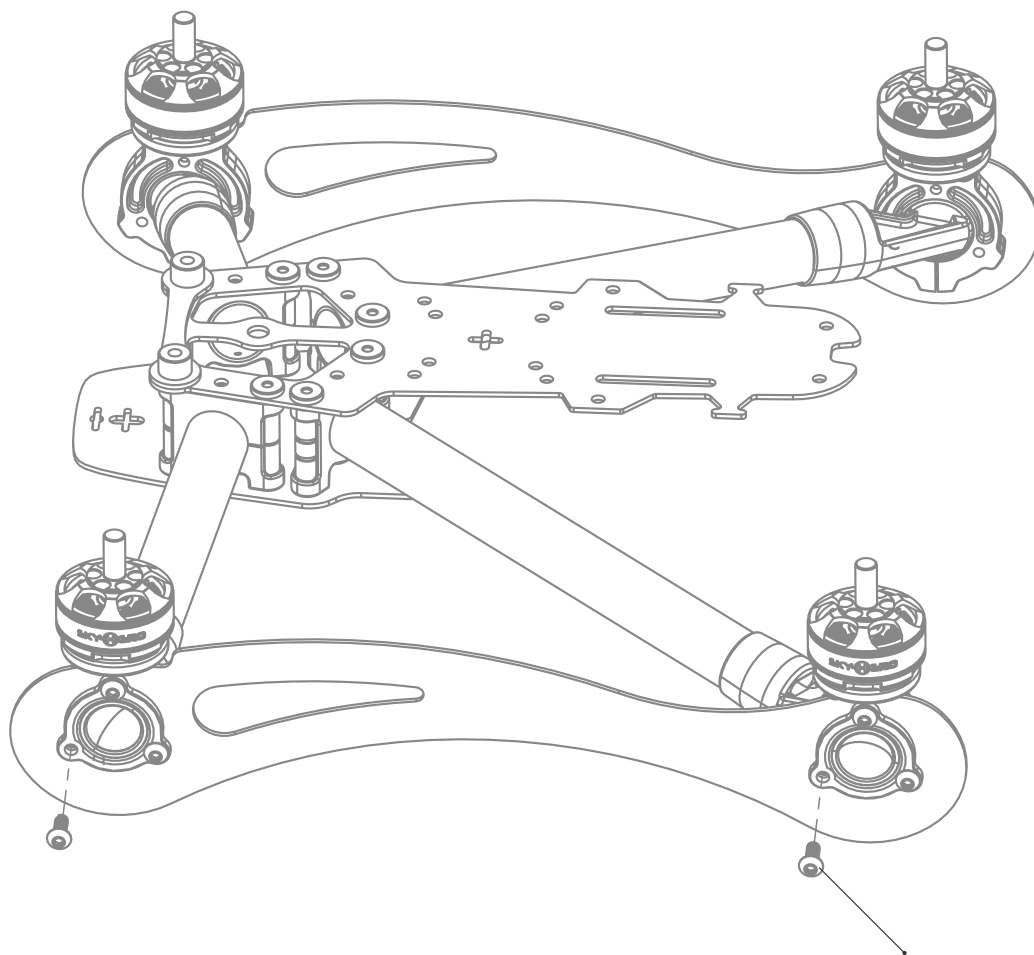


FIG. 20

ISO7380 M3X8TP

ATTACH YOUR Z SPACERS

FIG. 21

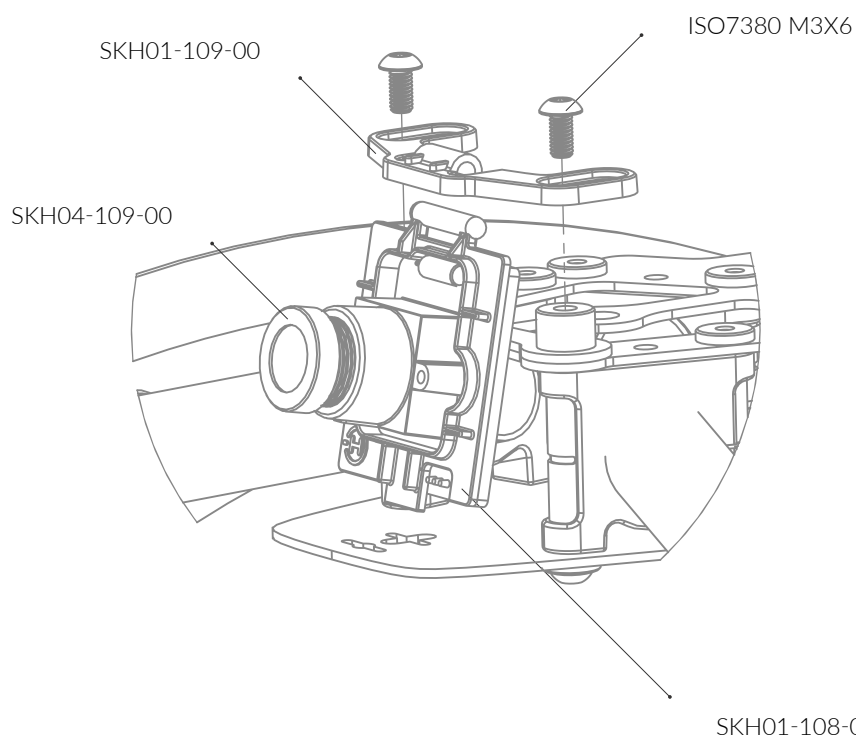
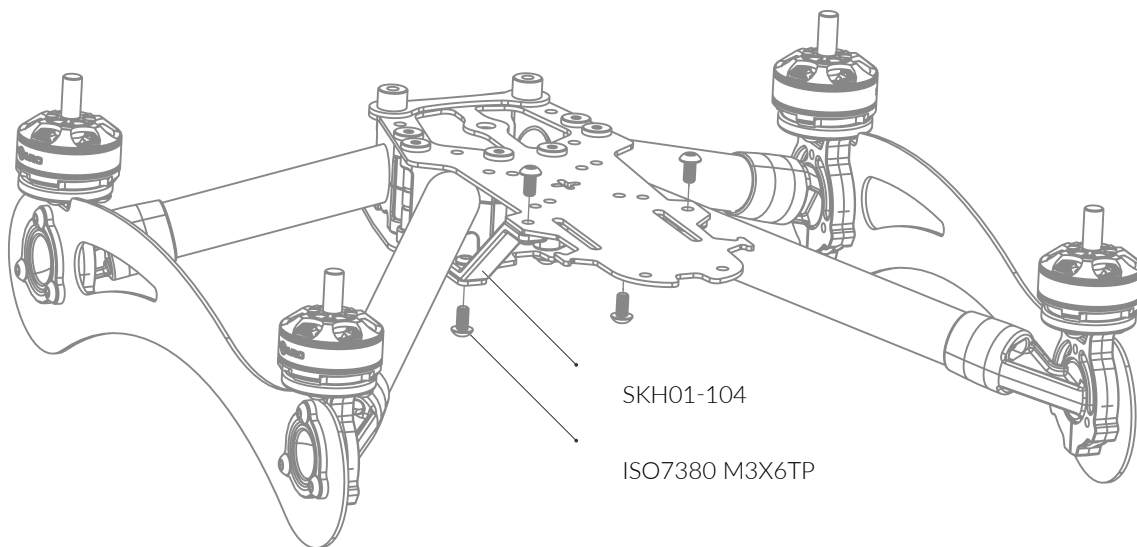
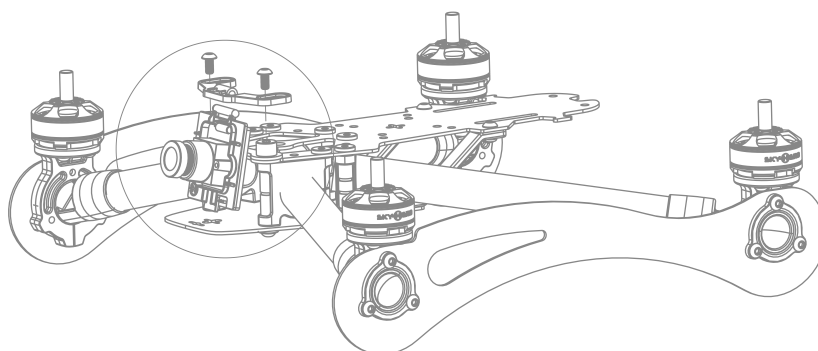


FIG. 22

Fix your camera plate in position

FIG. 23



CAMERA ANGLE

YOU CAN ADJUST THE ANGLE OF THE CAMERA AS FOLLOWED

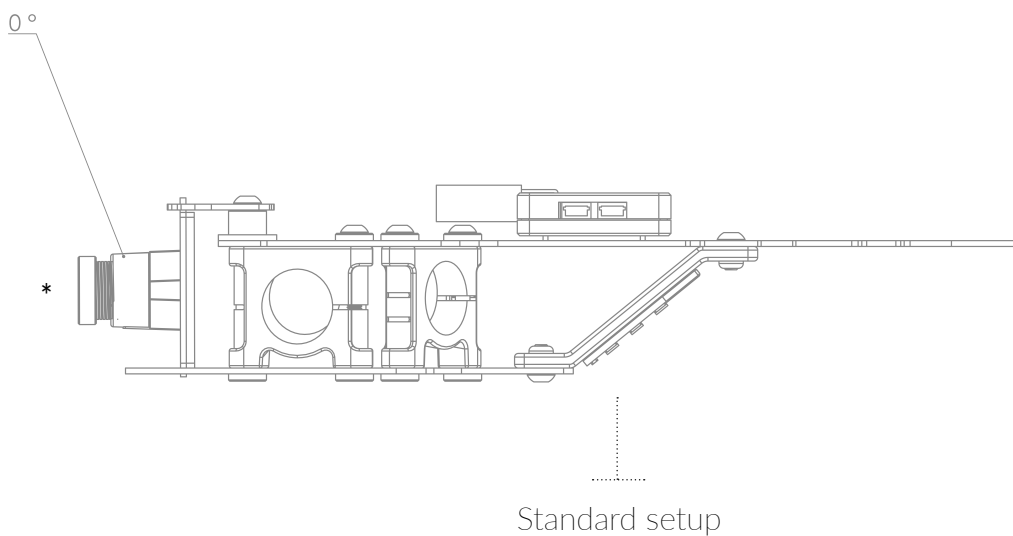


FIG. 24

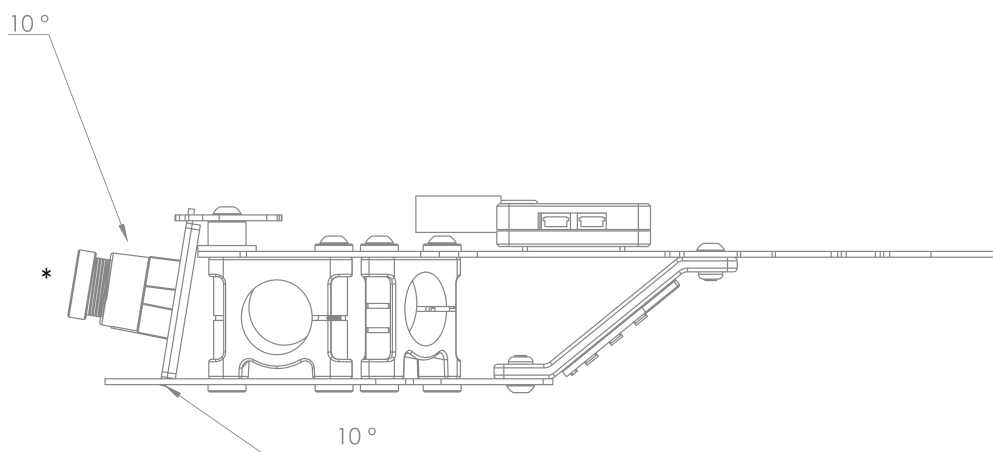


FIG. 25

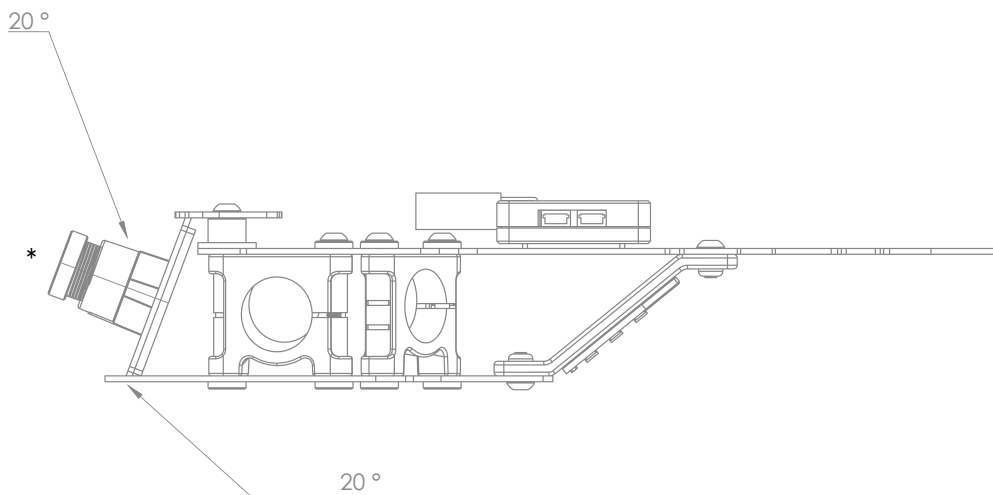


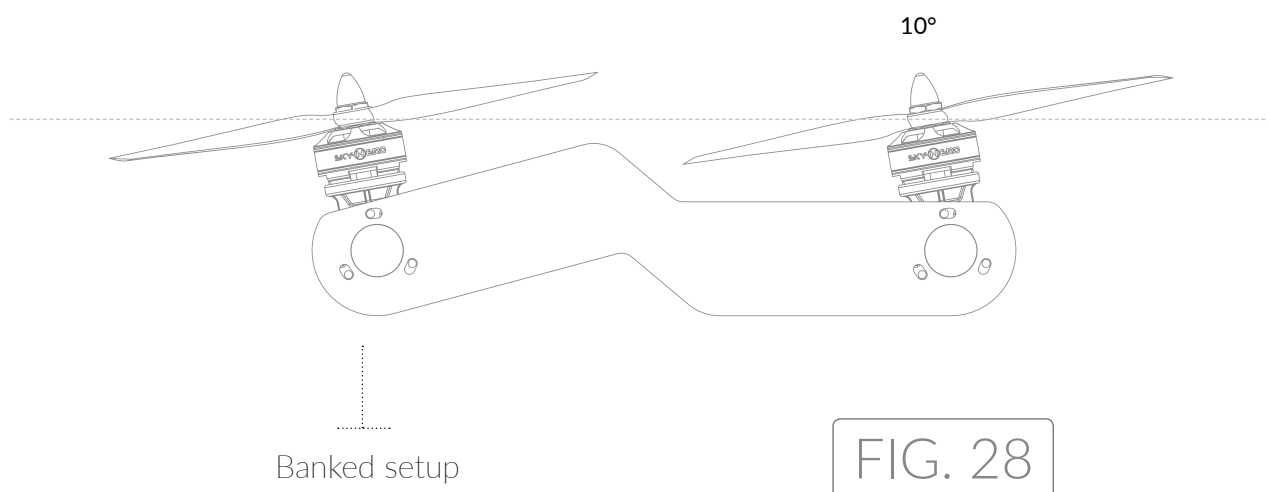
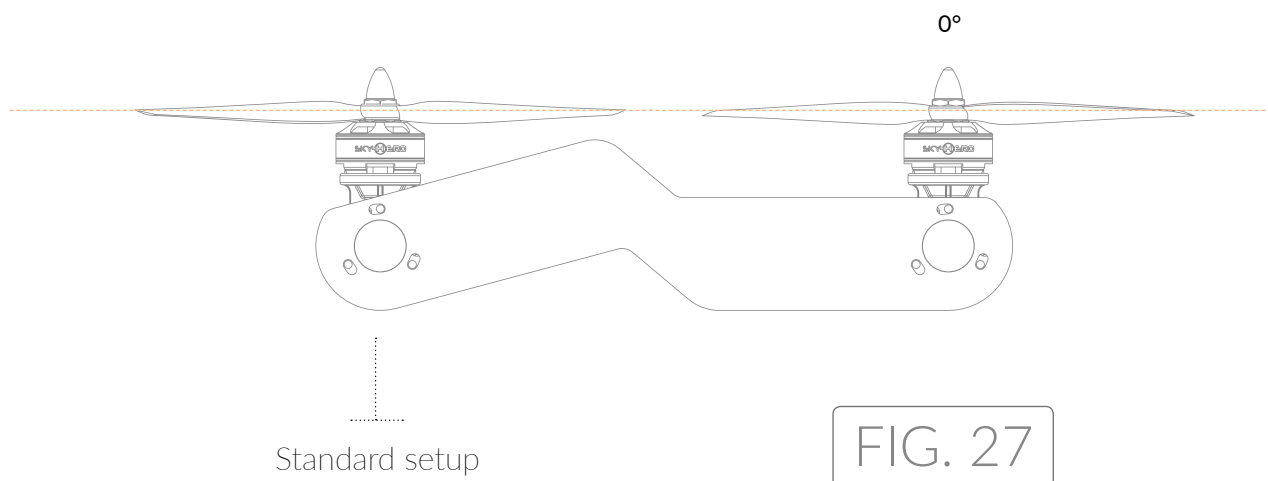
FIG. 26

* Optional parts

ADJUST MOTORS ANGLE

To adjust motor angle to **banked position**, you need to untight the **plastic ring** or **alu ring** on the side and tilt the motor mounts until the edge of the sideframes*.

*You need **optional sideframes** in order to do this. Check accessories in the Anakin section of our website (www.sky-hero.com) to order them or run to the closest Sky-Hero dealer!



EQUIPMENTS LAYOUT

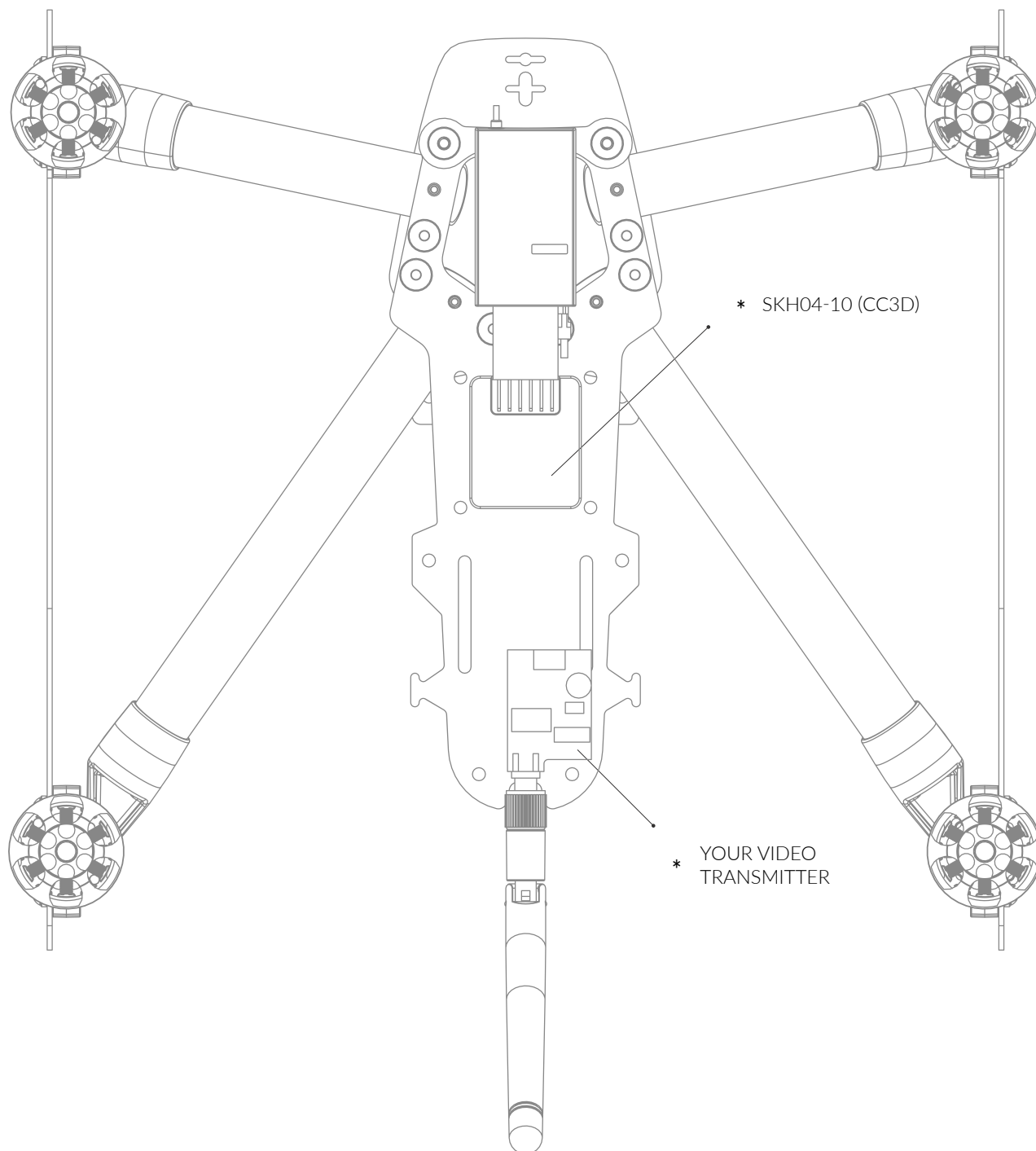


FIG. 29

* Optional parts

ATTACH YOUR CANOPY

FIG. 30

