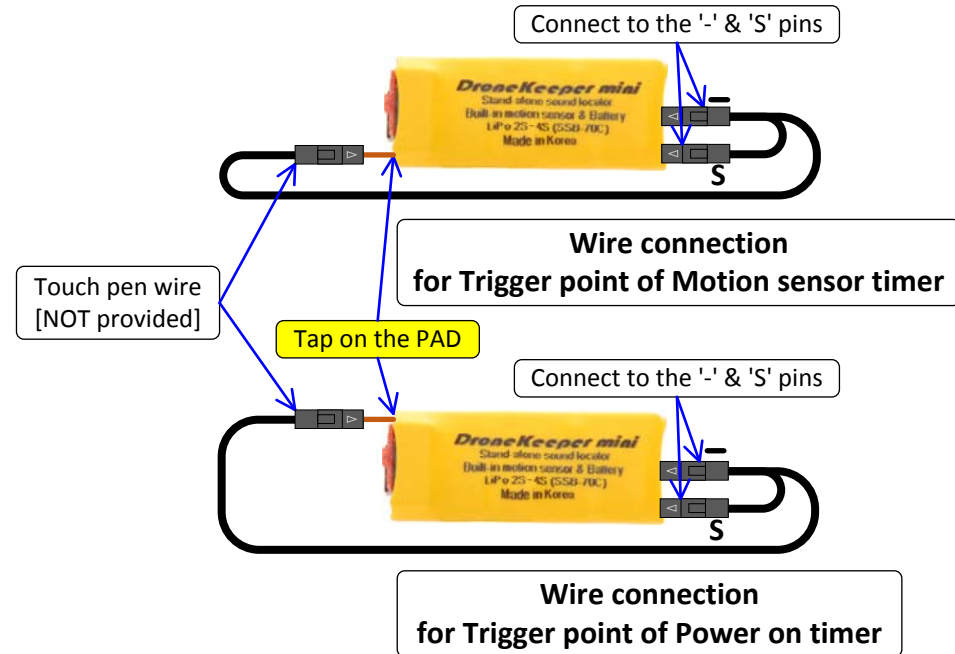


Quick Start Guide for DroneKeeper Mini (F/W 2.0 only)

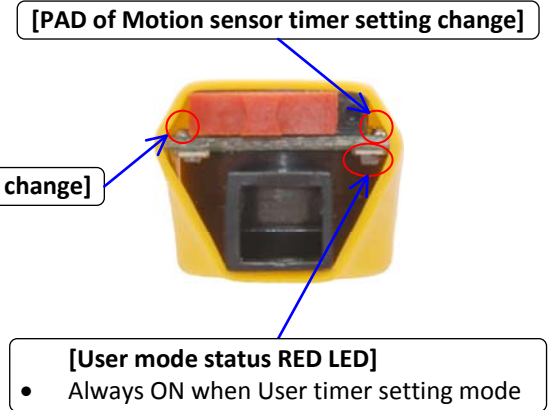
User timer setting

Released: 2016.7.1



- [Trigger point of Motion sensor timer]**
- [1beep : 30sec\[DEFAULT\]](#)
 - 2beeps: 1min
 - 3beeps: 5min
 - 4beeps: 8min
 - 5beeps: 10min

- [Trigger point of Power on timer]**
- [1beep : 30min\[DEFAULT\]](#)
 - 2beeps: 60min
 - 3beeps: 90min



- [Beep Sound description of Power On for User timer setting at Wireless mode only]**
- Trigger point of motion sensor timer → 0.5s interval → Trigger point of power on timer

- [CAUTION]**
- User timer setting can be changed at Wireless mode only
 - After changing the user timer setting values, please remove the touch pen wire surely.

- [How to set]**
- Connect Touch pen wire to DroneKeeper Mini → Turn on at Wireless mode → Tap on the PAD to change User timer setting value → Turn off → Remove Touch pen wire

Descriptions	Firmware 1.0 (before Jun 30, 2016)	Firmware 2.0 (after July 1, 2016)
Common - The missing alarm will ring instead of the low voltage alarm when the external battery is disconnected while the external battery is being connected to the DroneKeeper mini.	low voltage alarm	missing alarm
Wireless Mode only - Trigger point of motion sensor timer: User can select the trigger point of motion sensor timer (30sec, 1min, 5min, 8min, 10min). The missing alarm will ring after the trigger point of motion sensor timer if there is no any movement. - Trigger point of power on timer: User can select the trigger point of power on timer(30min, 60min, 90min). The missing alarm will always ring after power on regardless of motion sensor status to prepare the worst case. (ex: strong wind)	fixed 30sec n/a	selectable(30sec, 1min, 5min, 8min, 10min) selectable(30min, 60min, 90min)
- Sensitivity of motion sensor	sensitive	insensitive
Wired Mode only - Trigger point of R/C receiver signal was changed for the missing alarm	n/a	+120us