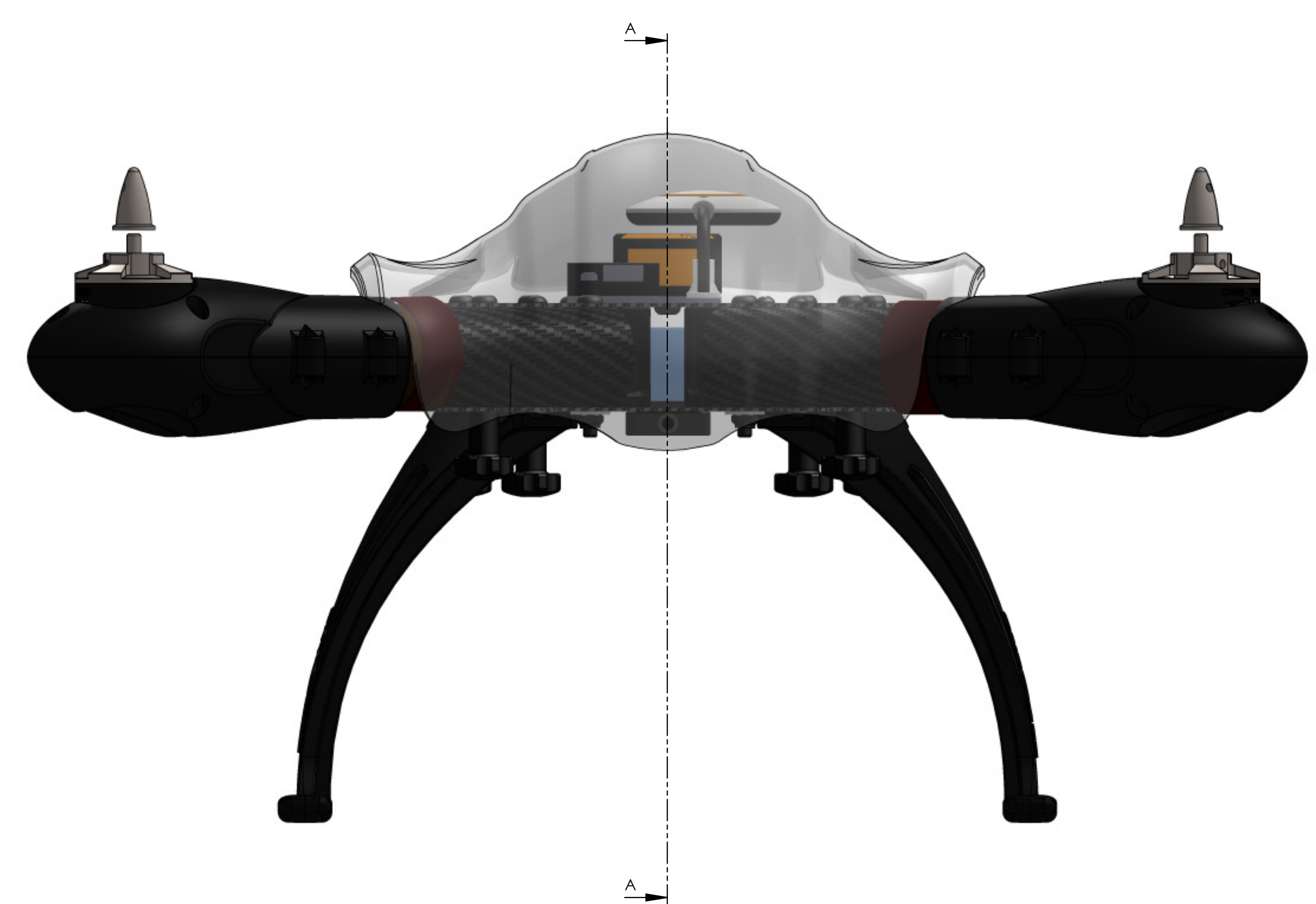


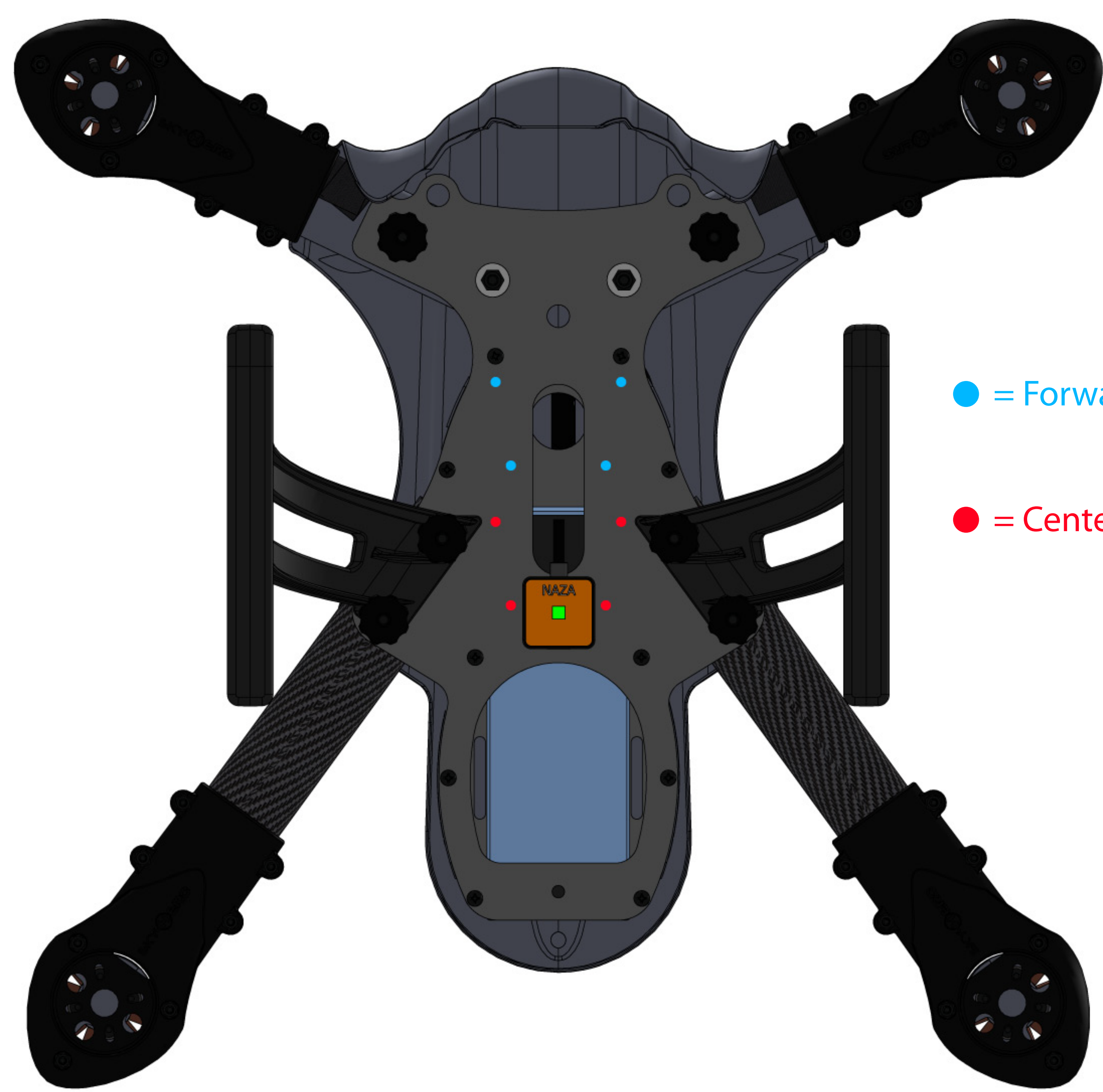
LED

COUPE A-A
ECHELLE 1:1



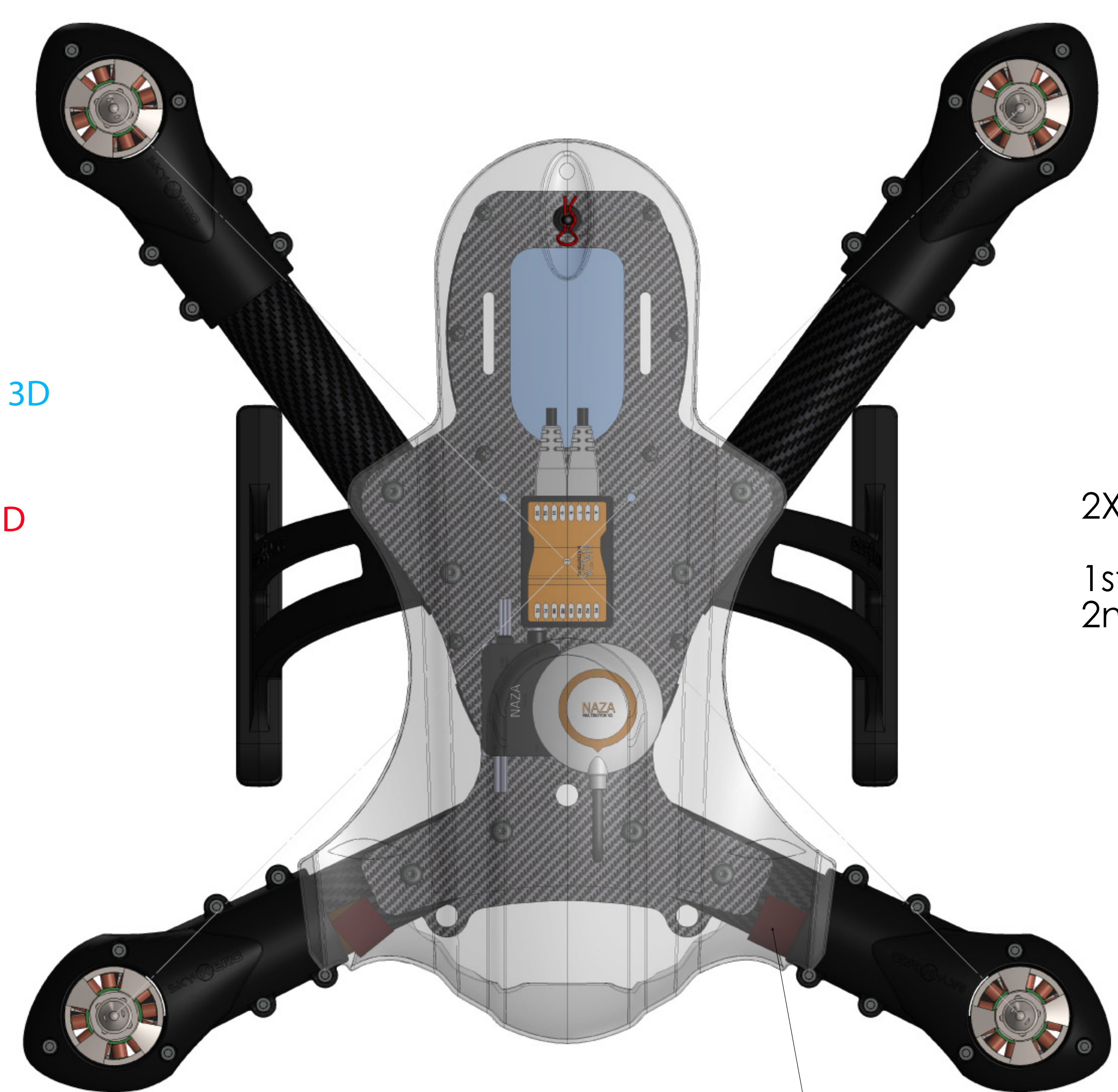
A

A



● = Forward position for Zenmuse H3 3D

● = Center position for Zenmuse H3 3D



2XT60 connectors :
1st to battery
2nd to PMU or Ubec

Canopy and tubes straps